

sieboldii), the Japanese barberry, and the native dogwoods, both the tree and the bush forms, the latter being commonly known as the osiers, all of which carry splendid fruit, are showy either in flower, foliage, or fruit, grow with little care, and make wonderful massed plantings.”

Outlet Boxes and Drain Tile Openings

By Charles E. Van Nest, Interlachen Country Club, Minneapolis

Prior to 1922, we used wooden boxes as outlet openings for our hose connections. Cleats near the top of the box served as a support for a board cover. The openings for our drain tile were finished in the same manner, except that screens took the place of the board covers. Owing to wash-outs, decay, breakage, and the action of frost, these openings were a constant annoyance to players and a source of trouble and expense to the grounds department. As a result, it was decided that, notwithstanding the first cost might be greatly increased, the building of something of a permanent nature would be advisable.

We purchased 10-inch iron man-hole rings and covers from a local foundry. We set these, in concrete, flush with the surface of the ground. For pouring the concrete, we used as a form a sheet iron cylinder of the proper size to fit the ring and about 18 inches long, a hole having been excavated around the outlet opening to that depth. We were careful to leave an opening around the pipe where it entered the well, so that in case of trouble the pipe could be moved without injury to the wall. Our water mains are from a few inches to a foot below the surface. The details of the installation are shown in the sketch on the opposite page.

During the three years we have used this construction we have not made a single repair. Tractor wheels pass over the covers without harm, and water and frost seem to have had no bad effects. Our soil is a very heavy clay.

In small lots, sets of ring and cover cost \$2.80 each, but in quantities of 50 or more, we have a price of \$2.52. To this, of course, must be added the cost of concrete and labor, which, however, is very small.

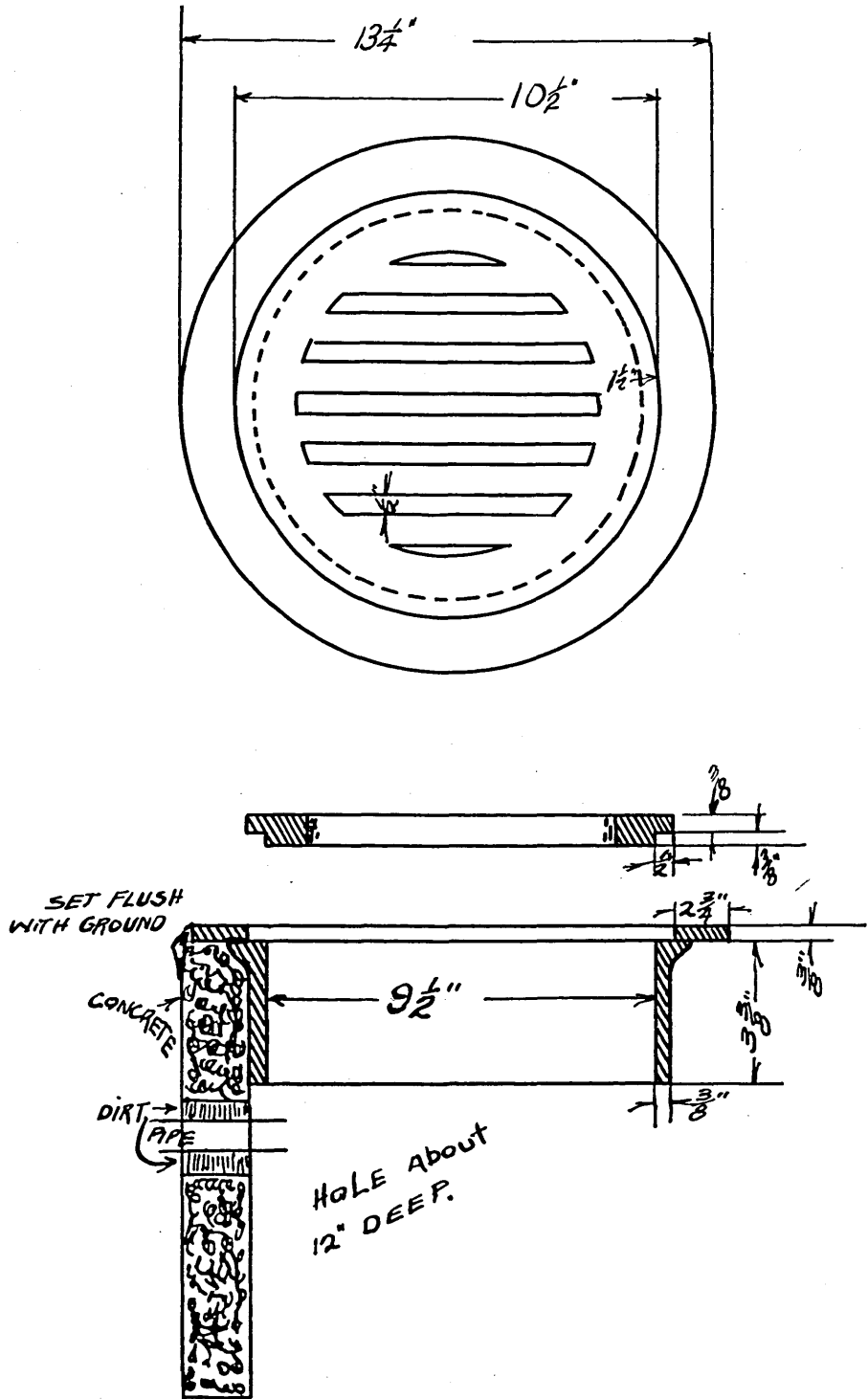
We plan on piping through the middle of our fairways in the spring, and shall have an outlet every 150 feet protected in this manner.

Wholesale Turf Seed Prices January 31, 1925

Prices per 100 Pounds for Best Grades of Seed

Obtained by the Seed Reporting Service, U. S. Department of Agriculture.

	New York	Balti- more	Phila- delphia	Rich- mond	Buf- falo	Chi- cago	Minne- apolis
German mixed bent	\$55.00	\$75.00	\$60.00	\$55.00	\$55.00	\$55.00	\$57.00
Kentucky bluegrass	28.00	28.50	29.00	31.00	28.75	28.50	30.00
Redtop	14.50	14.00	14.50	14.00	14.50	14.50	16.00
Red fescue	-----	22.00	20.00	22.00	22.00	-----	20.00
Chewings' fescue	20.50	-----	20.00	-----	22.00	20.00	22.00
Sheeps' fescue	14.00	17.00	15.00	17.50	14.00	14.00	16.00
Canada bluegrass	20.00	21.50	21.00	-----	20.50	21.00	22.00
Italian rye grass	11.00	11.00	11.50	12.00	12.00	12.50	12.00
Perennial rye grass	11.50	12.25	13.00	11.50	11.50	13.00	11.00
White clover	48.00	48.00	48.00	58.00	49.00	47.00	50.00



Iron man-ho'e outlet box